



Luna Twin/400

Ceiling hoist

User manual

Important information

Please read this user manual carefully before using the product!

This user manual is intended as a guide for caregivers and other users, as well as technical personnel during servicing and maintenance of the product.

Date: 02-06-2017

Ver: 2



Scan the QR code for further information

CONTENTS

1	PURPOSE AND SAFETY	4
1.1	Purpose	4
1.2	Safety instructions	4
1.3	Before use	5
1.4	Terminology	5
1.5	Unpacking	6
1.6	Transport	6
2	INSTALLATION AND OPERATION	7
2.1	Installation and dismantling of the ceiling hoist	7
2.2	Pictograms and functions	9
2.3	Operation of safety functions	11
2.4	Charging	12
3	USING LUNA TWIN	13
3.1	Use of accessories	13
3.2	Using spreader bar	13
3.3	Using Luna in a shower environment	14
4	MAINTENANCE	14
4.1	Cleaning	14
4.2	Storage	14
5	CHECK, WARRANTY AND TROUBLESHOOTING	15
5.1	Annual check and warranty	15
5.2	Troubleshooting	15
6	TECHNICAL DATA AND DIMENSIONS	16
6.1	Technical specifications	16
6.2	Dimensions	17
7	ENVIRONMENT AND QUALITY	18
7.1	Disposal	18
7.2	Battery	18
7.3	Quality	18
7.4	Symbols and abbreviations	19
8	ACCESSORIES	19

1 PURPOSE AND SAFETY

Luna Twin/400 is a modular ceiling hoist, which can be used as a single or a double (Twin) ceiling hoist. The single Luna has a lifting capacity of 275 kg.

By an easy modification to the Luna Twin solution, where two single Luna are interconnected and then brings the total lifting capacity on 400 kg. See section - "Installation".

Luna Twin referred in this manual as Luna ceiling hoist. If there is a weight behind the description is only for this model. Example Luna/275 applies to a single Luna.

1.1 Purpose

The Luna ceiling hoist has as purpose to transfer bariatric patients weighing up to 400 kilos. The transfer can be from bed to chair/wheelchair or from chair to toilet etc. in institutions such as nursing homes, hospitals, care centres and in home care.

NOTE: Do not use the Luna ceiling hoist for purposes other than originally intended.

1.2 Safety instructions



Important - Warning!

Read the user manual and these safety instructions thoroughly before using:

- The maximum lifting capacity may never be exceeded. When using Luna in connection with other components e.g. slings or transportable track systems it is always the component with the LOWEST weight capacity that decides the maximum lifting capacity.
- NEVER use the ceiling hoist if there are any indications of wear or suspicion of other defects on the track systems, the hoist, or on the accessories. In such cases the hoist must be taken out of service immediately and you must contact your dealer or Winncare Nordic ApS.
- Ensure that neither carers nor patient can be injured during lifting. Especially when the sling is in the process of being attached to the spreader bar. Take care the spreader bar does not strike anyone.
- Never lift higher than necessary when hoisting.
- If Luna is used near shower systems or bath, it should be ensured that the Luna or hand control is not submerged (see section 3.3).
- Luna should never be used in an environment containing chlorine or in other aggressive environment.

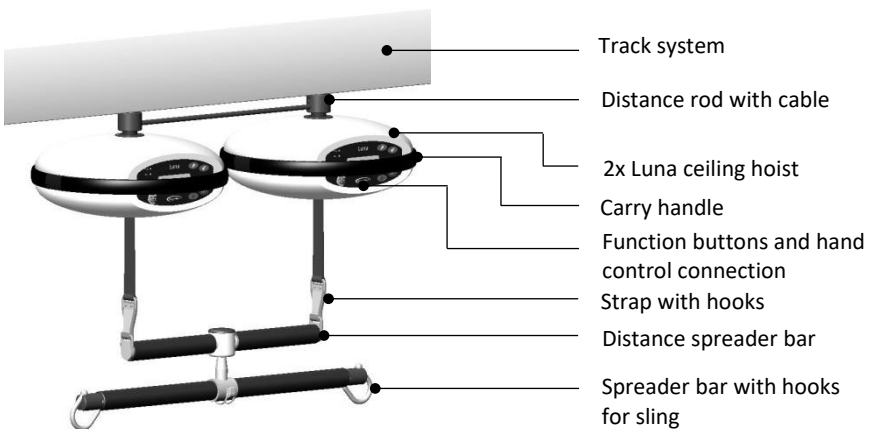
1.3 Before use

The carer is responsible for ensuring that a check is carried out BEFORE Luna and accessories are used, including the following:

- Luna ceiling hoist is mounted in suitable track systems, approved by Winncare Nordic ApS.
- The installation of the track system was done by qualified installers with proposals from Winncare Nordic ApS.
- All parts must be mounted correctly according to this user manual (see section 2.1).
- The carer will have received instructions in using the Luna ceiling hoist.
- The Luna ceiling hoist is interconnected correctly according the installations guide (see section 2.1).
- The lifting strap on the Luna is checked for wear/frayed and folds or string. Check also that the strap moves freely into the Luna. If there is any sign of worn, the Luna must be taken out of use immediately. The strap should be changed before the ceiling hoist is used again.
- Check that the synchronised mode is activated (see section 2.1).
- Check the up/down function, if any abnormal sound is heard the Luna must not be used before it has been checked by a qualified technician.
- Lifting slings are checked for any damage especially as regards to lifting straps. The slings must be not used if defects are detected.
- If you are in any doubt concerning the use of the Luna please contact the dealer or Winncare Nordic ApS for advice and guidance.

1.4 Terminology

Luna Twin/400:



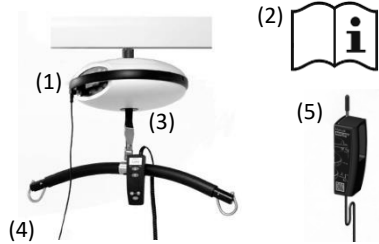
1.5 Unpacking

Check that all the parts are present and undamaged. Any suspicion of damage or shortage should be reported to your dealer or Winncare Nordic ApS.

We recommend that the packing carton is retained if the Luna is to be used on other sites or for return shipment in case of repair or annual check.

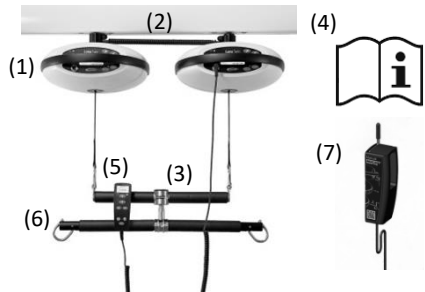
Contents of the Luna Single/275

- 1) Luna/275 with output on the inactive side for the Twin solution.
- 2) User manual
- 3) Hand control (accessories)
- 4) Spreader bar (accessories)
- 5) Charger (accessories)



Contents of the Luna Twin/400

- 1) 2 boxes of Luna ceiling hoist
- 2) Distance rod with cable
- 3) Distance spreader bar
- 4) User manual
- 5) Hand control (accessories)
- 6) Spreader bar (accessories)
- 7) Charger (accessories)



1.6 Transport

The Luna ceiling hoist is most safely transported using the original packaging.

Symbols are printed on the packaging to ensure the best information for carrier companies.

2 INSTALLATION AND OPERATION



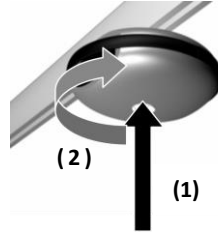
Be aware that each of the Luna devices weights 6.7 kilos without the distance rod and spreader bars.

2.1 Installation and dismantling of the ceiling hoist

Mounted of Luna/275 ceiling hoist

Luna/275 mounted directly on to the ceiling track in cart.

- 1) Lift the ceiling hoist up to the cart and connect the bayonet bracket into the Luna (resistance will be felt since the bracket is spring loaded).
- 2) Turn the ceiling hoist 90° clockwise. When the hoist is in place a click will be heard and the hoist is correct mounted.



Dismounting of Luna/275 ceiling hoist

- 1) Press the ceiling hoist upwards against the track.
- 2) Turn 90° anti clockwise to dismount the hoist.

Mounted of Luna/400 ceiling hoist

- 1) Click the distance rod up at the cart in the track system.
- 2) Lift one of the ceiling hoists and connect the hoist to the distance rod. (Resistance will be felt since the bracket is spring loaded).
- 3) Turned 90° clockwise, when Luna is in place a click will be heard. This indicates correct mounting. Mount the other Luna in the same way.
- 4) Mount the distance spreader bar by pressing the spring loaded hook. (Fig.2.1A)
Pull downwards until the hook is fixed on the ring on the spreader bar. (Fig. 2.1B)

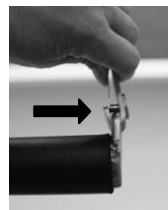
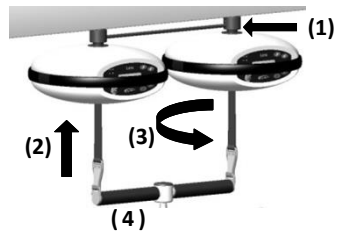


Fig. 2.1A

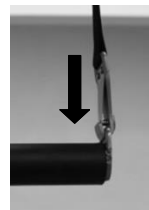


Fig. 2.1B

Note: Ensure that the strap not twisted and that the hooks are safely locked.

- 5) Connect the hand control on the main ceiling hoist (see section 2.2) and adjust the Luna with the up/down buttons, so the spreader bar is in level.
- 6) Connect the Twin cable on the inactive side foil.
- 7) Press STOP on the hand control and hold the Reset button for 5 seconds. The Luna Twin ceiling hoists are now synchronized.



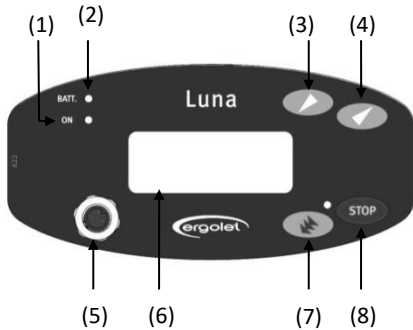
If the ceiling hoist is not mounted correctly an electronic safety device prevents operation of the hoist.

Dismounting of Luna/400 ceiling hoist

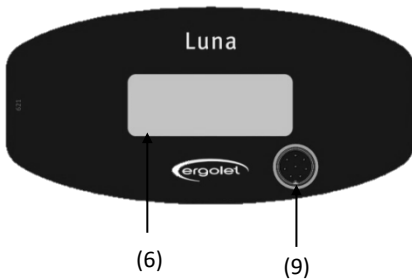
- 1) Disconnect the Twin cable and the hand control.
- 2) Dismount the distance spreader bar.
- 3) Press the ceiling hoist upwards against the distance rod until you feel resistance.
- 4) Turn 90° anti clockwise to dismount the hoist.
- 5) Pull down to remove the distance rod.

2.2 Pictograms and functions

Active side foil:



Inactive side foil:



(1) ON – The LED lights green to indicate, that the ceiling hoist is ready.

If not used for a while the hoist will go into sleep-mode and the LED turns off. Activate the hoist again by pressing down **(3)** or the up button **(4)** on the hand control.

(2) BATT. – Indicates the level of the battery. (See section 2.4).

(3)+(4) Down/Up – With a constant hold on one of the arrows on the primary hoist (where the hand control is connected), the hoist move in the desired direction. Then both hoists run synchronously up/down. Release the button to stop the movement.

(5) Connecting the hand control – The ceiling hoist connected the hand control is the primary hoist.

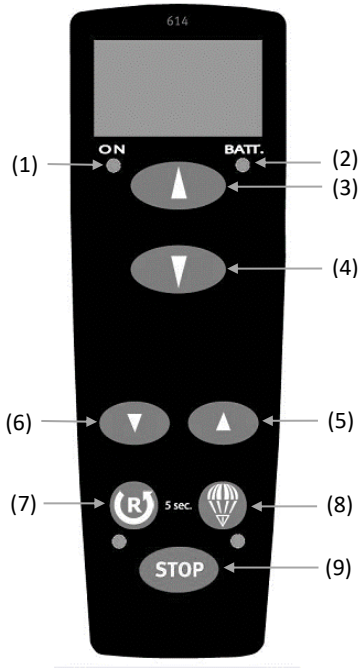
(6) Name plate – Inform about model, service, serial number and symbols.

(7) Emergency lowering – ONLY used in situations where it is necessary to lower a patient safely in a lift failure. This button must be held constantly to lower the device. (See section 2.3)

(8) STOP – Press the emergency stop button to stop the Luna immediately. This function can be reset by pressing the reset button on the hand control for 5 seconds.

(9) Interconnector plug – The cable from the distance rod must be connected to both Luna ceiling hoists otherwise the synchronised mode does not work.

Hand control:



(1) ON – The LED lights green to indicate, that the ceiling hoist is ready. Under use the LED will show yellow.

(2) BATT. – Indicates the level of the battery (see section 2.4).

(3)+(4) Up/Down – With a constant hold the Luna will move in the desired direction. Both hoists run synchronously up/down. Release the button to stop the movement.

(5)+(6) Work offset – Is used in connection with the adjustment of the level. The straps on both ceiling hoists have to be completely in level otherwise the synchronously does not work.

(7) Reset – Used to reset the Luna after the use of the emergency stop - or lock function. Reset by holding the reset button for 5 seconds, the Luna will then be reactivated. Reset can also be used to lock all functions to avoid unintended use by e.g. the patient. When the reset button is held, the LED light will show red and all functions will be locked. Deactivate as after an emergency stop.

(8) Emergency lowering – ONLY used in situations where it is necessary to lower a patient safely in a lift failure. This button must be held constantly to lower the unit. (see section 2.3)

Note: Works only with hand control **(5)** plugged in and LED **(1)** must be on.

(9) STOP – Press the emergency stop button to stop both Luna immediately.

This function can be reset by pressing the reset button **(7)** on the hand control for 5 seconds.

2.3 Operation of safety functions

Emergency stop:

This function is only to be used in an emergency e.g. if the Luna does not react or does not stop after releasing the hand control operation. The Emergency stop is placed on the hand control and on the side foil. If the emergency stop has been activated all functions will stop immediately and the LED light will show red on the hand control.

The Emergency stop can be deactivated by pressing the “Reset” button on the handset for 5 seconds.

Emergency lowering button:

This is also only to be used in an emergency where it is necessary to safely lower a user. The emergency lowering button is placed on the hand control, illustrated as a parachute and also on the side foil with 3 arrows.

To activate the emergency lowering hold the button on the hand control or on the front panel for 5 seconds and a “beep” from the Luna sounds. This is a hold to run button.



Warning!

The emergency lowering will not work if the hand control has a defect.

Note! If the Luna is in “sleep-mode” press either the up or down button for the emergency lowering to work. When using emergency lowering, the normally stop will not be active!

Release the emergency lowering button, when the strap is in its full length.

Manual emergency lowering:

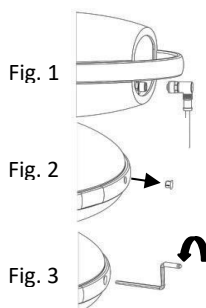
The manual emergency is used to lower the patient when the powered emergency lowering does not work or if the hand control is defective.

Follow the instructions that are placed on the charger or follow the description below:

Fig. 1) Remove the hand control.

Fig. 2) Remove the plug on the side of the Luna ceiling hoist.

Fig. 3) Take the key, which is located at the top of the charger. Put the key into the Luna and turn anti clockwise to lower the user.



Note! Scan the QR-code and see the instructions on video.



Note! If one of the emergency stop functions has been activated due to an emergency the Luna must not be used again before a check has been made and any defect repaired. If in doubt, contact your dealer or Winncare Nordic ApS

2.4 Charging

The Luna ceiling hoist can be charged from the hand control charger holder mounted on the wall. The charger unit is connected to a mains supply.

- Move the Luna to the charging station and place the hand control onto the charger after which charging starts automatically.

Note: Luna is fitted with batteries that require regular charging. Winnocare Nordic ApS recommends that Luna is charged every night or when the hoist is not in use.

Luna is fitted with a diode (marked BATT.), which gives the following information concerning battery condition during use:

LED color	Description
Green	<ul style="list-style-type: none">• The LED on the hand control will flash during charging.• The LED lights constantly on the hand control, when the batteries are fully charged.• The LED lights constantly on the Luna active side foil, when the batteries are fully charged.
Yellow	<ul style="list-style-type: none">• The LED on the active side foil lights, and indicates that the batteries are approx. 50% discharged.• Recommend charging to avoid low battery.
Red	<ul style="list-style-type: none">• The LED on the active side foil lights and indicates that the batteries have reached a critical point.• The LED start flashing and an acoustic ("beep" signal) will be heard.• Luna must IMMEDIATELY be put on charge in this situation and remain on charge for a minimum of 9 hours.

Note: Luna ceiling hoist cannot be overcharged.

3 USING LUNA TWIN

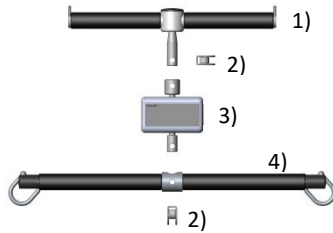
Luna is ready for use if all assembly instructions have been followed correctly.

Luna is intended for use under normal temperatures (+2 to +40°C) and relative humidity (40 – 90%).

3.1 Use of accessories

The spreader bar and weight scale are accessories of Luna Twin and the mounting of both are as follows:

- 1) Mount the distance spreader bar (See section 2.1)
- 2) Safety cotter pin - Secure the distance bar to the weight scale or the spreader bar.
Mount the safety cotter pin by pushing the pin into the holes and locking it.
- 3) Weight scale - See the user manual for the weight scale operation.
- 4) Spreader bar for sling (See section 3.2)



3.2 Using spreader bar

Luna spreader bars are designed for use with Winncare Nordic ApS lifting slings. Winncare Nordic ApS lifting slings have 2-6 lifting straps and are designed for lifting hooks with a minimum diameter on $\varnothing 8$ mm.

Note: Use of non-approved slings will render Winncare Nordic ApS responsibility for faults and accidents null and void.

Winncare Nordic ApS can assist in choosing slings and also the correct use of slings.

Warning: Hanging slings on the Winncare Nordic ApS spreader bar



Winncare Nordic ApS accepts no responsibility if slings are placed incorrectly, it is always the onus of the carer/helper to ensure that the sling is correct for the situation needs and is correctly mounted.

- 1) The sling strap is placed over the hook in its open position.



- 2) The strap is pulled downwards so that the hook closes.



Note: The design of the lifting hook is such that the weight of the patient/user will help close the hook.

To release the strap after lifting simply pull upwards to open the hook.



WARNING:

Risk of finger entrapment - ensure that user's fingers cannot get trapped.

3.3 Using Luna in a shower environment

The Luna ceiling hoist and the hand control are water resistant and can tolerate being sprayed with water. Winnicare Nordic ApS recommends that the Luna is used as Fig. 3.3A (Shown as a single Luna).

Note: IPx4 hand control cannot withstand being immersed in water. As a cost option it is possible to choose a waterproof IPx7 hand control, which can safely be immersed in water.

4 MAINTENANCE

4.1 Cleaning

Luna ceiling hoist and the tracks may be cleaned using a slightly damp cloth with a small quantity of standard household cleaning agent or use surgical spirit to over-drying.

Strong chemicals or abrasive agents must not be used.

4.2 Storage

Luna must be stored in a dry environment with relative humidity under 70%.

If the Luna is not to be used over a long period press the emergency stop button to save the battery.

Note: Luna should be fully charged before storing. The batteries will slowly discharge so it is recommended that the Luna is recharged every 3 months to prevent the battery from being destroyed.

5 CHECK, WARRANTY AND TROUBLESHOOTING

5.1 Annual check and warranty

The Luna ceiling hoist must always be repaired and maintained by qualified personnel, including the replacements of print card, batteries, lifting straps and other components.

The manufacturer Winncare Nordic ApS recommends that the ceiling hoist MUST be checked by a qualified person at least once a year in accordance with Winncare Nordic ApS service instructions. An annual check is also recommended to the European Standard (EN/ISO 10535) for patient lifters/hoists including ceiling hoist.

It is the legal owners' duty to ensure that these checks are carried out on the product.

If it is necessary to replace any parts due to wear or damage, Winncare Nordic ApS recommends for safety reasons to use original spare parts.

Warranty

There is a 5 year warranty on the product. See further warranty conditions on www.ergolet.dk.

5.2 Troubleshooting

Fault:	Possible cause	Solution
Luna does not react when the hand control UP/DOWN are used. (No "beep" sound from the Luna unit).	Batteries are not fully charge or defective.	Charge batteries (see section 2.4). If this does not help, the batteries must be changed.
	The emergency stop is activated.	Deactivate emergency stop (see section 2.3).
	Defective hand control.	Check if up/down buttons on the hand control works, if not try another hand control or obtain a new one from the dealer or Winncare Nordic ApS.
Fault:	Possible cause	Solution
Luna does not react when UP/DOWN buttons on the hand control are used. (A "beep" sound is heard).	Luna unit is not mounted correctly on the track/ cart.	Read the mounting instructions and follow section 2.1 for correct mounting Luna in tracks.
	Batteries are not fully charged.	Charge batteries (see section 2.4).
	The strap is rolled incorrectly.	Request service technician from dealer.

Fault:	Possible cause	Solution
Does not charge.	Charger is not connected to the main supply.	Connect charger to main supply. (see section 2.4).
	Charger defect.	Try another charger or get a new one from the dealer or Winncare Nordic ApS.
	Connection to the hand control is defective.	Try another charger or get a new one from the dealer or Winncare Nordic ApS.

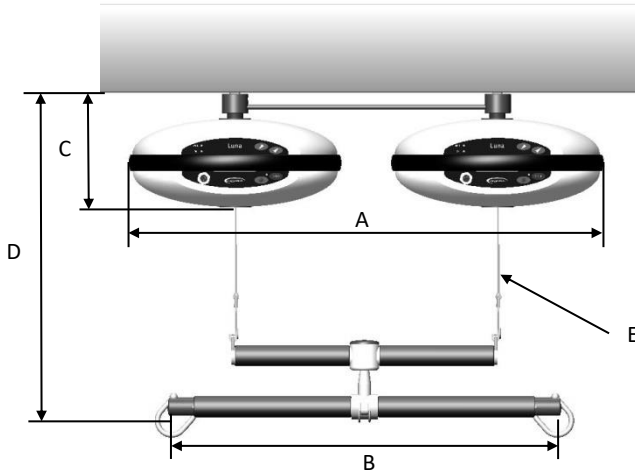
6 TECHNICAL DATA AND DIMENSIONS

6.1 Technical specifications

Max capacity:	Luna/275 (single): 275 kg Luna/400 (Twin): 400 kg
Length of lifting strap:	2200 mm
Weight:	6.7 kg without spreader bar (single)
Measurements:	710 x 420 mm
Battery operation:	36 V lead acid batteries
Charging:	100 - 240 V, 0.5 amp.
Covering:	High impact, moulded ABS
Noise:	Lwa during lifting/lowering without load is 49dB(A) Lwa during lifting/lowering with 175 kg is 53dB(A)
IP-class	Cassette: IP24 Charger: IPx4 Hand control: IPx4 (IPx7 as accessories)

6.2 Dimensions

Measurements, Twin Luna/400:



A) Width of Luna device	710 mm
B) Spreader bar (see section 8 "accessories" for other sizes)	600 mm
C) Height of Luna device	170 mm
D) Min. height from hook to track	450 mm
E) Lifting range from min. height	1950 mm

7 ENVIRONMENT AND QUALITY

The Luna Twin has an expected life time of a minimum of 10 years under the assumption that all recommended service checks have been carried out and that the normal maintenance have been followed.

7.1 Disposal

Disposal of this ceiling hoist can be made through Winncare Nordic ApS. After the hoist useful lifetime Winncare Nordic ApS will receive the hoist back and split the individual fractions in an environmentally friendly way either through reuse or recycling.



Fractions that contain aluminium, lead acid batteries, ABS plastic, steel may damage the environment if not handled in an environmentally responsible way.

7.2 Battery

The ceiling hoist is equipped with batteries which may be returned either to the local recycling station or to Winncare Nordic ApS at the end of their lifetime.

7.3 Quality

Winncare Nordic ApS is certified according to the quality standard ISO 9001 and ISO 13485.

These certifications mean that the products and the company complies with the international standards for quality management and standards for traceability of medical products.

Luna Twin is classified as a Medical device, class 1 product.

7.4 Symbols and abbreviations



Direct current



Double insulated



Type B, patient is not separated from the ground



The product should be recycled where possible



Refer to the user instruction

SWL

Safe working load = (user + sling)

8 ACCESSORIES

Hand control

015-03120 Hand control, 1320 mm cable, 1 channel

Standard spreader bar

015-02036 Spreader bar for strap, width 36 cm

015-02037 Spreader bar for strap, width 48 cm

015-02038 Spreader bar for strap, width 58 cm

Accessories

017-00137 Weight scale, 400 kg

A complete list of spare parts is available. Please contact Winncare Nordic ApS for details

Manufacturer:
WinnCare Nordic ApS
Taarnborgvej 12 C
4220 Korsoer
Denmark

Phone: +45 70 27 37 20
Fax: +45 70 27 37 19
Email: info@ergolet.dk
www.ergolet.com

93/42/EEF CLASS I
EN/ISO 10535
EN 60601-1-2



UM-910-00778UK